



SPECIFICATION

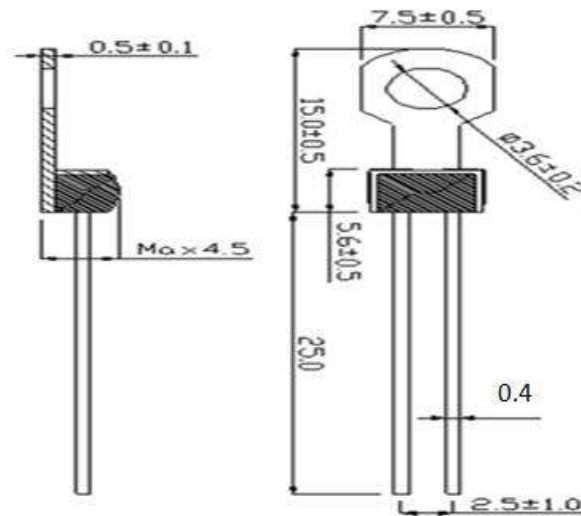
规格书

客户名称	
Customer	
客户料号	
Customer PN	
产品类型	PTC Sensor
Product Model	
型号规格	PTB02B1331FR2
Part Number	
文控编号	
Specification file No.	

SPECIFICATION FOR APPROVAL

1、 Overall Dimension

(Unit: mm)



2、 Material explanation

NO	COMPONENT	MATERIAL AND SPECIFICATIONS	Q'TY	REMARK
2-1.	Housing	Tin Plated Copper	1	
2-2.	Element	PTC DISK	1	
2-3.	Coating	Epoxy Resin		Black
2-4.	Wire	CP Wire (ϕ 0.4mm)	2	

3、 Part Number :

PT - X XX XX XXX X XXXX
1 2 3 4 5 6 7

- (1) PTC Thermistor Mark;
- (2) Insulation/Housing Type (A:Lead Type, B: Metal Terminal Type);
- (3) Disc Type;
- (4) Pierre Curie Temperature (eg: S5~S9=50~90°C, B0~B2=100~120°C)
- (5) Nominal Resistance at 25°C;
- (6) Rated Voltage (Z=16Vrms, F=30Vrms);
- (7) Special code ;

SPECIFICATION FOR APPROVAL

4、Electrical Performance:

Part Number	PTB02B1331FR2
Sensing Temperature $T_s(^{\circ}\text{C})$	110
Resistance at 25°C (Ω)	$\cong 330$
Resistance at $T_s-10^{\circ}\text{C}$ (Ω)	$\cong 1500$
Resistance at T_s (Ω)	$\cong 2200$
$T_s+23^{\circ}\text{C}$ ($K \Omega$)	$\cong 4$
Max. Operating Voltage (Vdc)	Max. 16
Max. Permissible Current (ImA)	Max. 100
Operating Temp. Range ($^{\circ}\text{C}$)	-20 ~ 105

5、Storage Method

6.1 In the process of storage and transportation, per stack height is not more than 4 CTN products.

6.2 Available with all transport method, but avoid the rain, snow of direct or indirect leaching and mechanical damage.

6.3 Products should be stored in the temperature of environment - 10°C / $+40^{\circ}\text{C}$, relative humidity is not more than 75%, environment should not have acid, alkali and corrosion gas or radioactive source.

6.4 Period of Storage:1 year.